



Z 0072 HLS jof²H

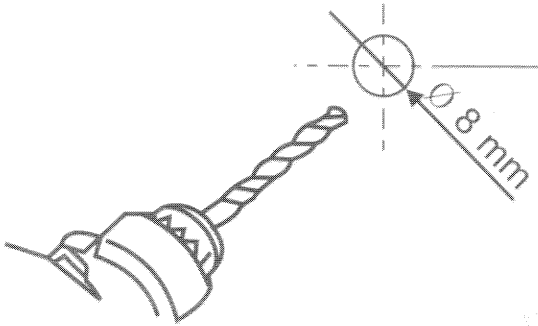


MONTAGE-BLATT MOUNTING SHEET

EMPFOHLENE MONTAGEHÖHE VOM BODEN
ZUM HÄNDE-/HAARTROCKNER

RECOMMENDED MOUNTING HEIGHT FROM FLOOR
TO HAND/HAIR DRYER

| | | |
|-------|--|-----------------------|
| | | |
| MODEL | ST 2400 ST 2400 E ST 2400 ES ST 2400 EC | STH 2400 Z |
| MIN | H ₁ 110 cm | H ₂ 170 cm |
| MAX | H ₁ 120 cm | H ₂ 180 cm |



235 mm

Ø 8 mm

starmix★
 ELECTROSTAR Schöttle GmbH & Co KG
 Stuttgarter Straße 36
 D-73262 Reichenbach/ Fils
 Telefon ++49 (7153) 982-0
 Telefax ++49 (7153) 982-355
 info@starmix.de
 http://www.starmix.de

37 mm

Ø 20 mm

62 mm

197 mm



H₁ for ST 2400, ST 2400E
ST 2400 ES, ST 2400 EC

